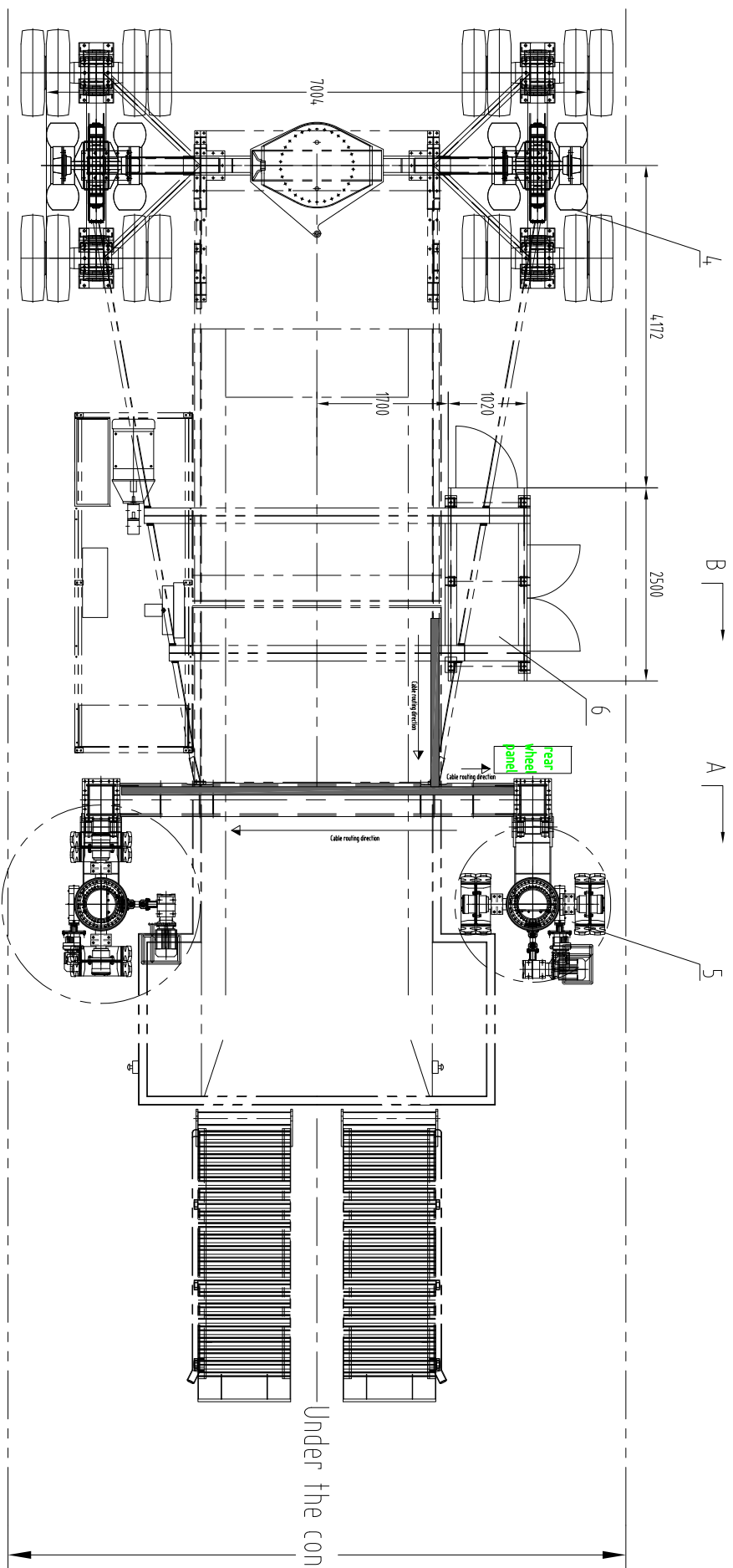


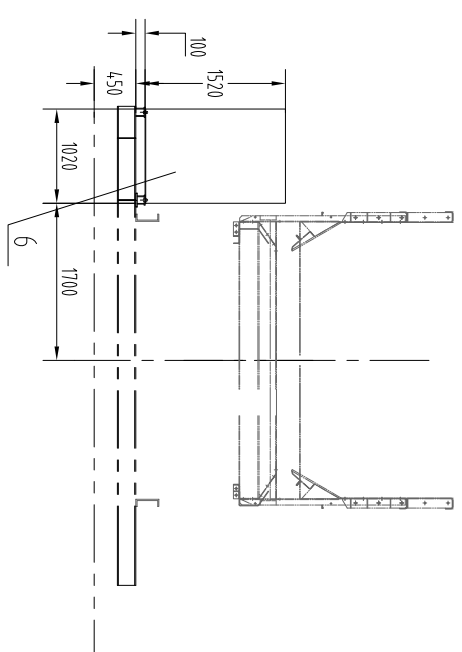
A-A

wheel off ground

B-B



Under the condition of 8M



MARK	DRAWING NO. & STANDARD	DESCRIPTION	材料 MATERIAL	QUA	PER WT	TOTAL WT	REMARKS
6		Diesel Generator	outsourcing	1		1500	
5	SUWB020-00	rear wheel system	ass.	2			
4	QL-00	front wheel system	ass.	1			
3	QLZCL-00	front wheel beam	welding	1			
2	HLZCL-02	reinforce rear wheel beam	welding	1			
1	HLZCL-01	rear wheel beam	welding	1			

NAME	DATE	PER WT	MATERIAL	DWG CODE
DWY				
CHYZ				

REV	SCALE	TRUCK LOADER	PAGE
1.0	1	TRUCK LOADER	A1

SHANGHAI XIAONG CRANE TECHNOLOGY LTD	DWG NO	TL-1000	(1 / 3)